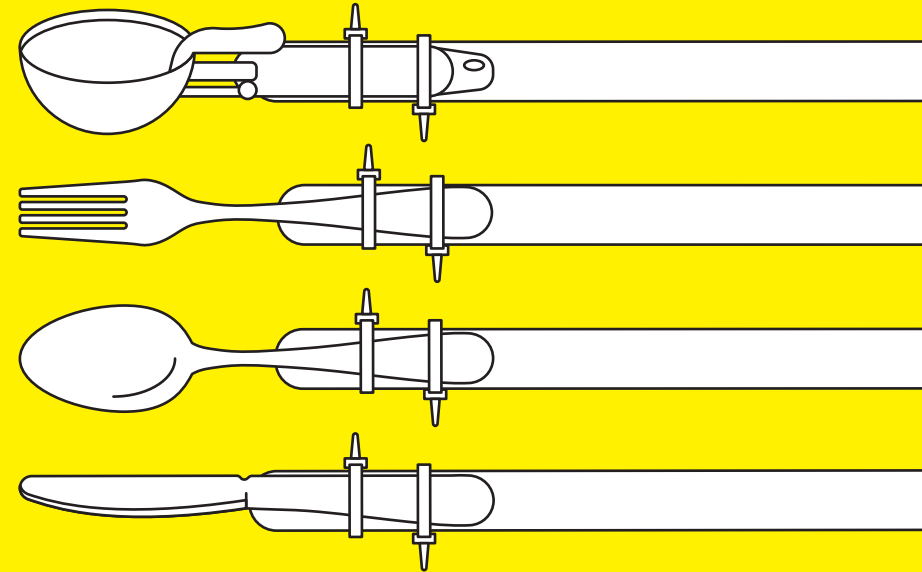
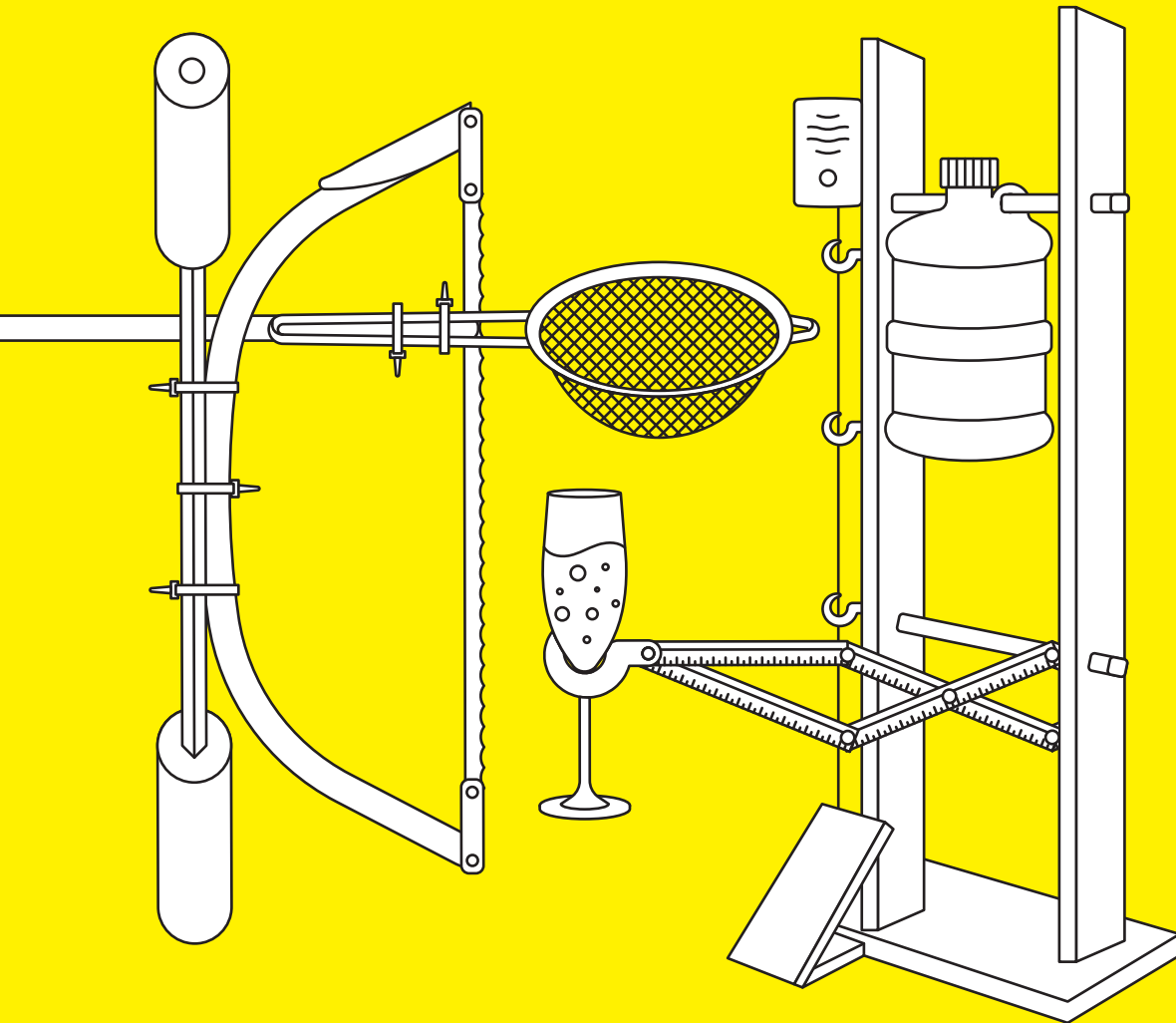


M - I - N - I

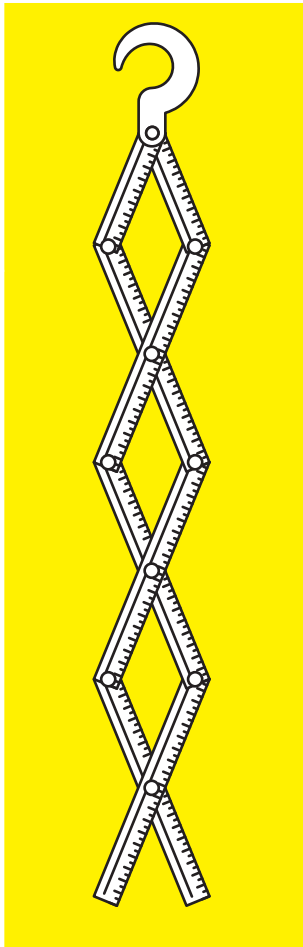
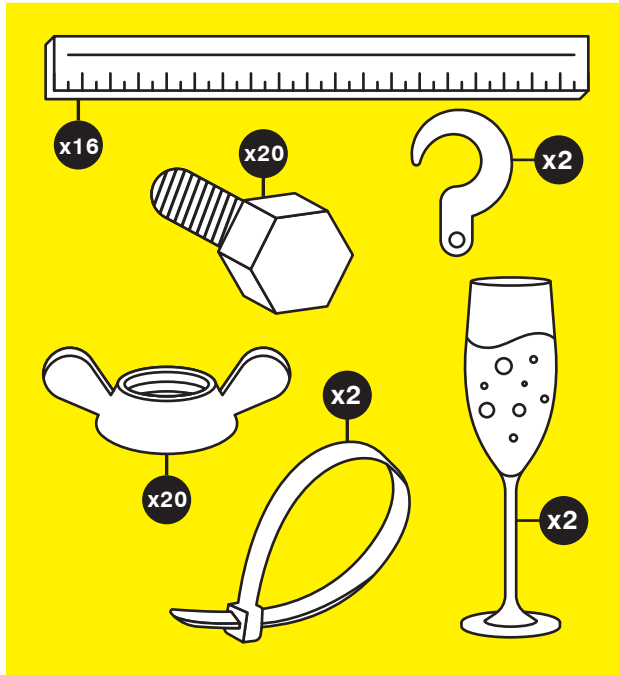
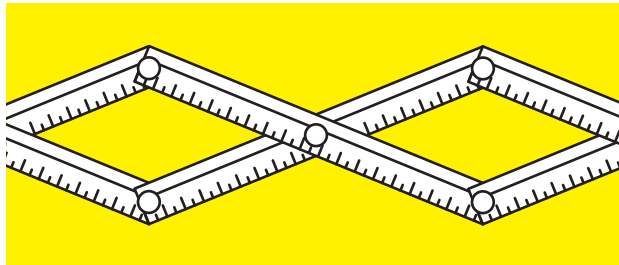
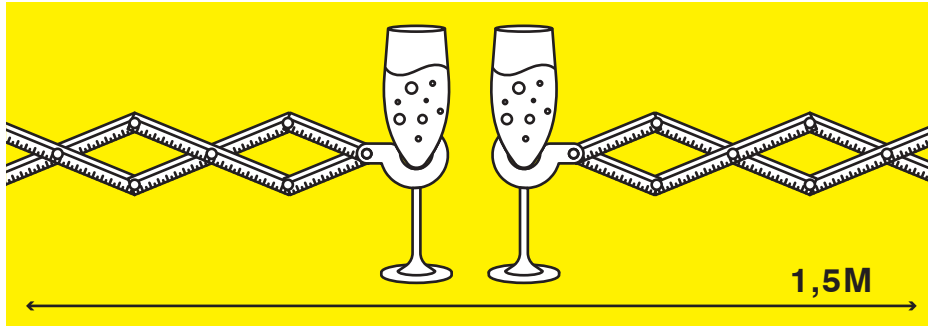
M ————— E - E - T

studio. 

HENDRIKWORKS



**OPEN SOURCE MANUAL:
SOCIALIZING TOOLS**



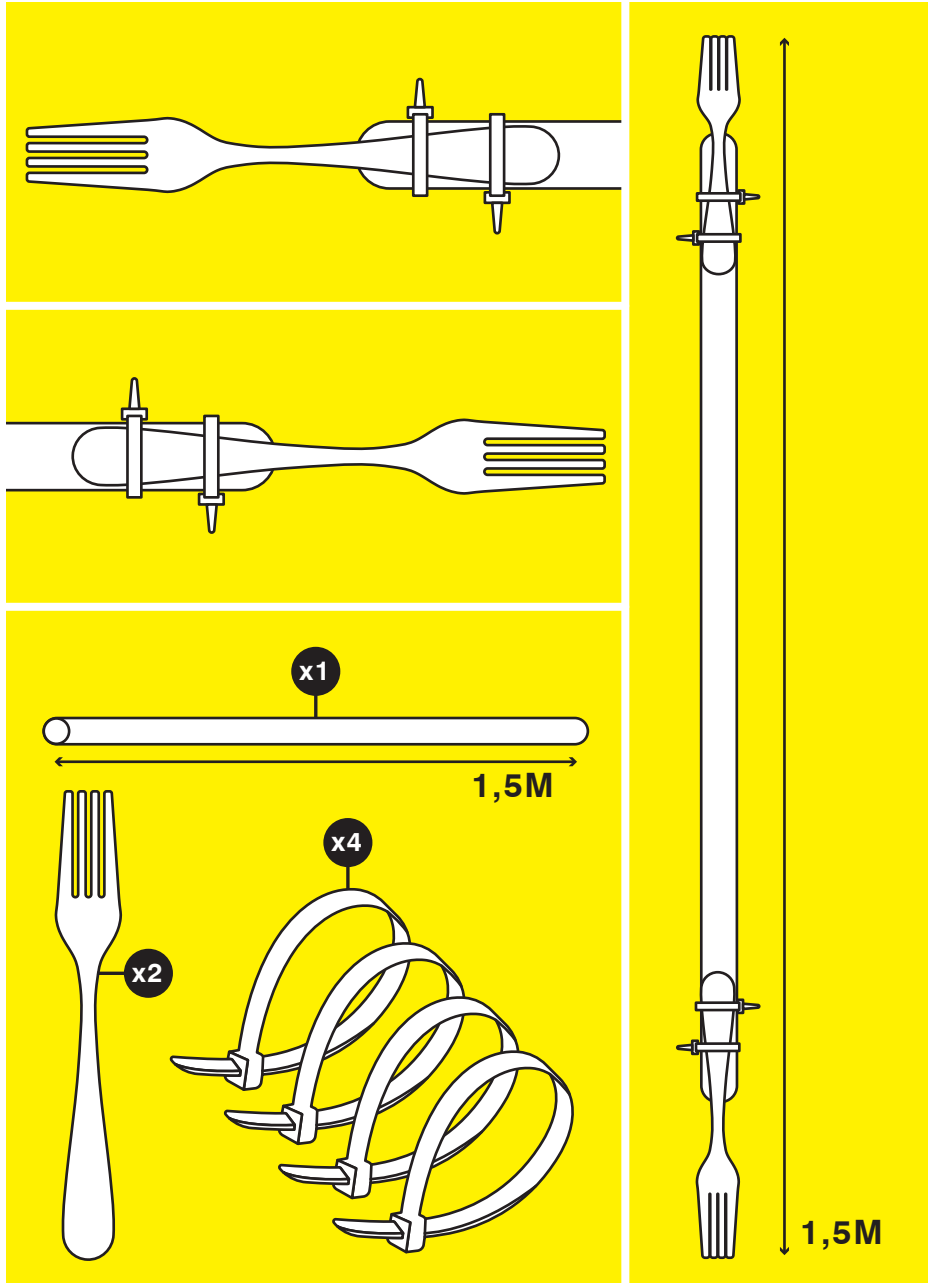
CHEERS CONCERTINA

YOU'LL NEED:

- 16x WOODEN RULERS
- 20x BOLTS
- 20x WING NUTS
- 2x CABLE TIES
- 2x HOOKS
- 2x GLASSES

HOW TO

- ¹ LAY DOWN TWO RULERS IN A CRISS-CROSS SHAPE,
- ² DRILL A HOLE WHERE THE TWO RULERS MEET
- ³ AND SECURE THEM WITH ONE WING NUT.
- ⁴ CONTINUE TO DO THIS UNTIL YOU HAVE FINISHED ALL OF THE RULERS AND THEY ARE ALL ATTACHED TO ONE ANOTHER AND CAN STRETCH OUT.
- ⁵ SAW OFF THE LAST TWO RULERS WHERE THEY MEET.
- ⁶ AT THE END OF THE LAST RULER, ATTACH A HOOK AND PLACE YOUR GLASS IN THE HOOK,
- ⁷ SECURE YOUR GLASS TO THE HOOK WITH ONE CABLE TIE.
- ⁸ REPEAT FOR THE SECOND CONCERTINA.



FORKS

YOU'LL NEED:

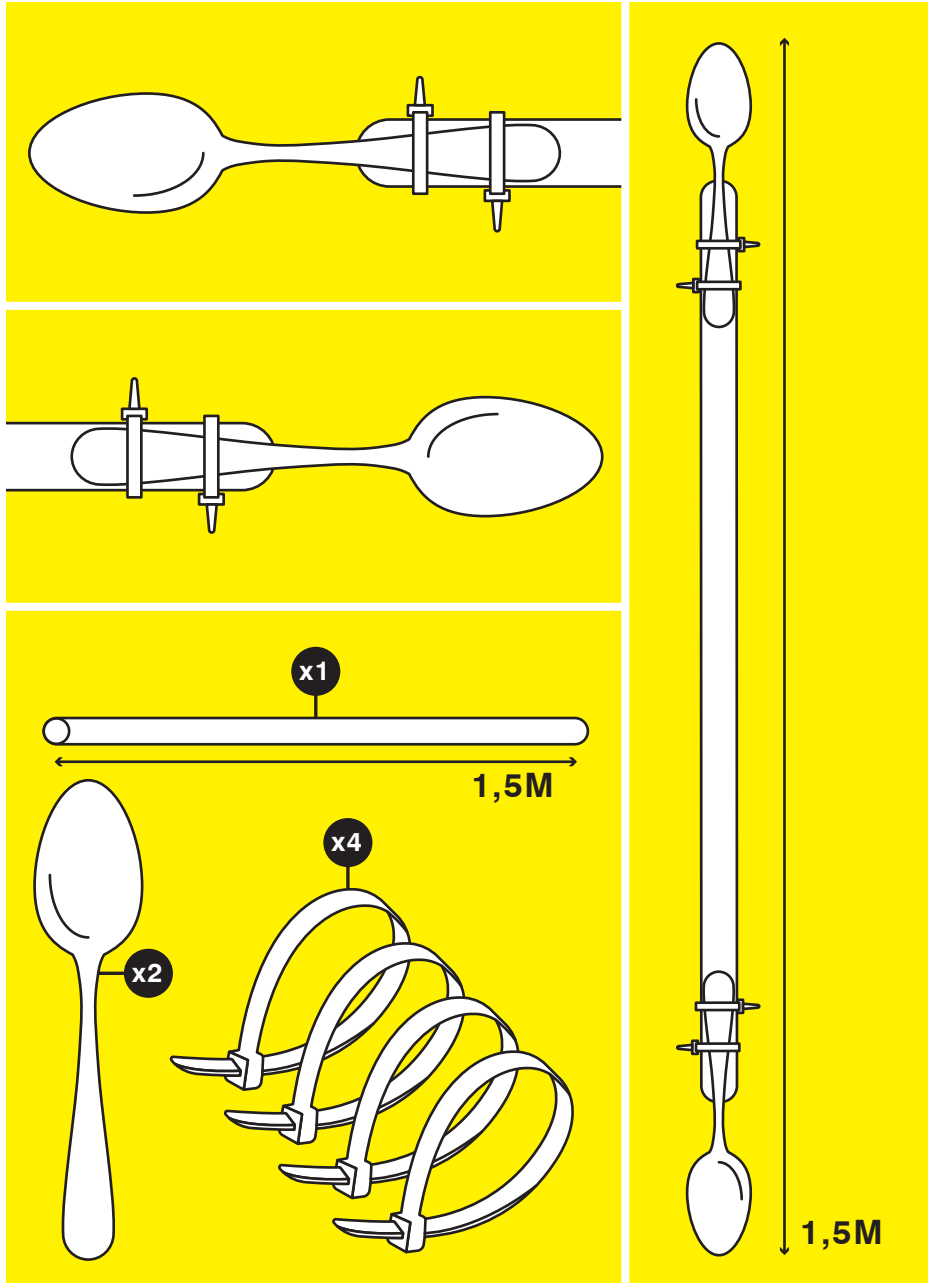
1x 1,5M DOWEL

2x FORKS

4x CABLE TIES

HOW TO

¹ ATTACH ONE FORK TO THE ONE END OF THE DOWEL, ² SECURE THE FORK TO THE DOWEL WITH TWO CABLE TIES. ³ MAKE SURE THE CABLE TIES ARE AT A DISTANCE SO THE ENTIRE FORK WILL BE SECURED TO THE DOWEL. ⁴ REPEAT THIS FOR THE OTHER SIDE



SPOONS

YOU'LL NEED:

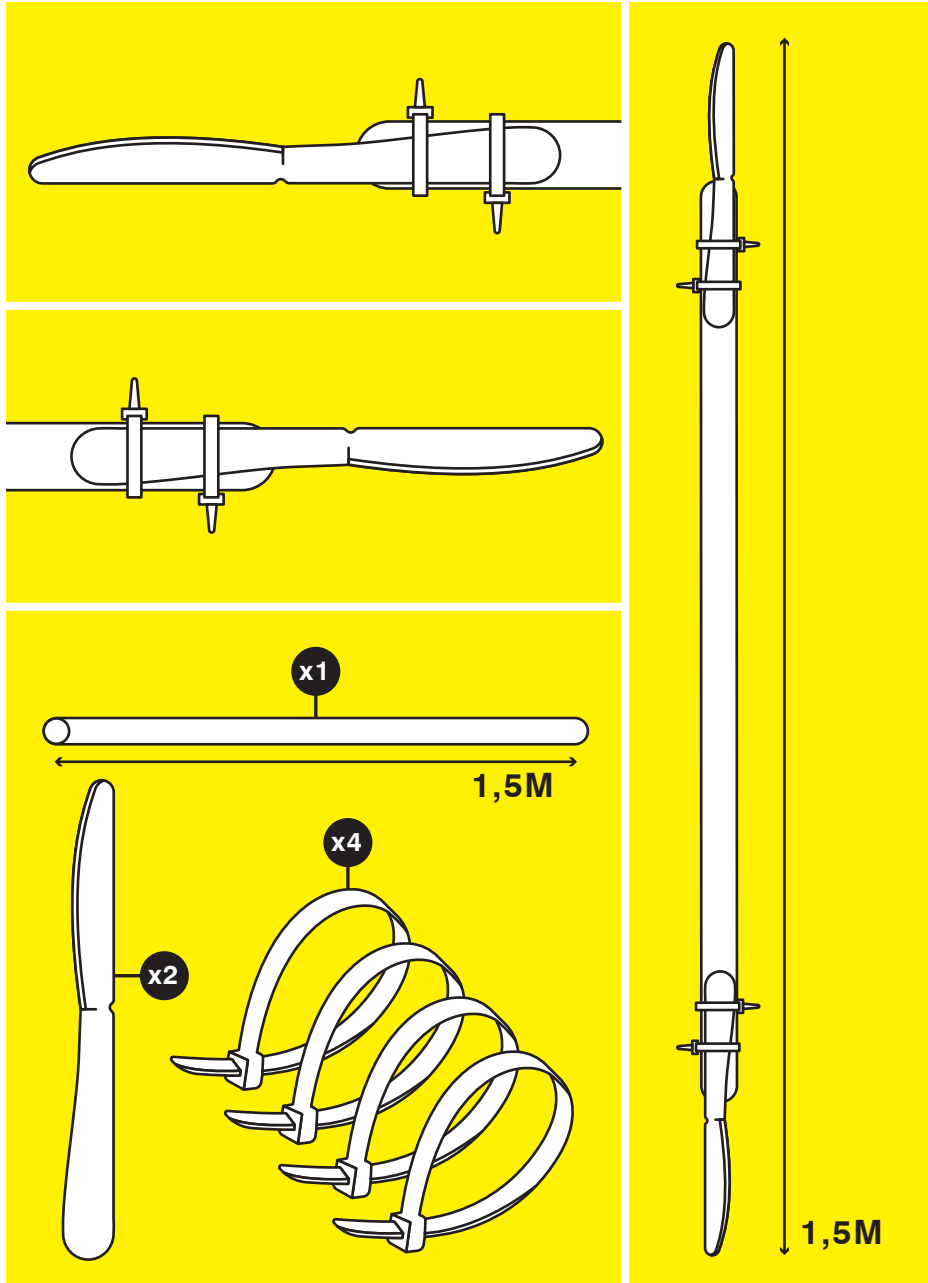
1x 1,5M DOWEL

2x SPOONS

4x CABLE TIES

HOW TO

¹ ATTACH ONE SPOON TO THE ONE END OF THE DOWEL, ² SECURE THE SPOON TO THE DOWEL WITH TWO CABLE TIES. ³ MAKE SURE THE CABLE TIES ARE AT A DISTANCE SO THE ENTIRE SPOON WILL BE SECURED TO THE DOWEL. ⁴ REPEAT THIS FOR THE OTHER SIDE



KNIVES

YOU'LL NEED:

1x 1,5M DOWEL

2x KNIVES

4x CABLE TIES

HOW TO

¹ ATTACH ONE KNIFE TO THE ONE END OF THE DOWEL, ² SECURE THE KNIFE TO THE DOWEL WITH TWO CABLE TIES. ³ MAKE SURE THE CABLE TIES ARE AT A DISTANCE SO THE ENTIRE KNIFE WILL BE SECURED TO THE DOWEL. ⁴ REPEAT THIS FOR THE OTHER SIDE

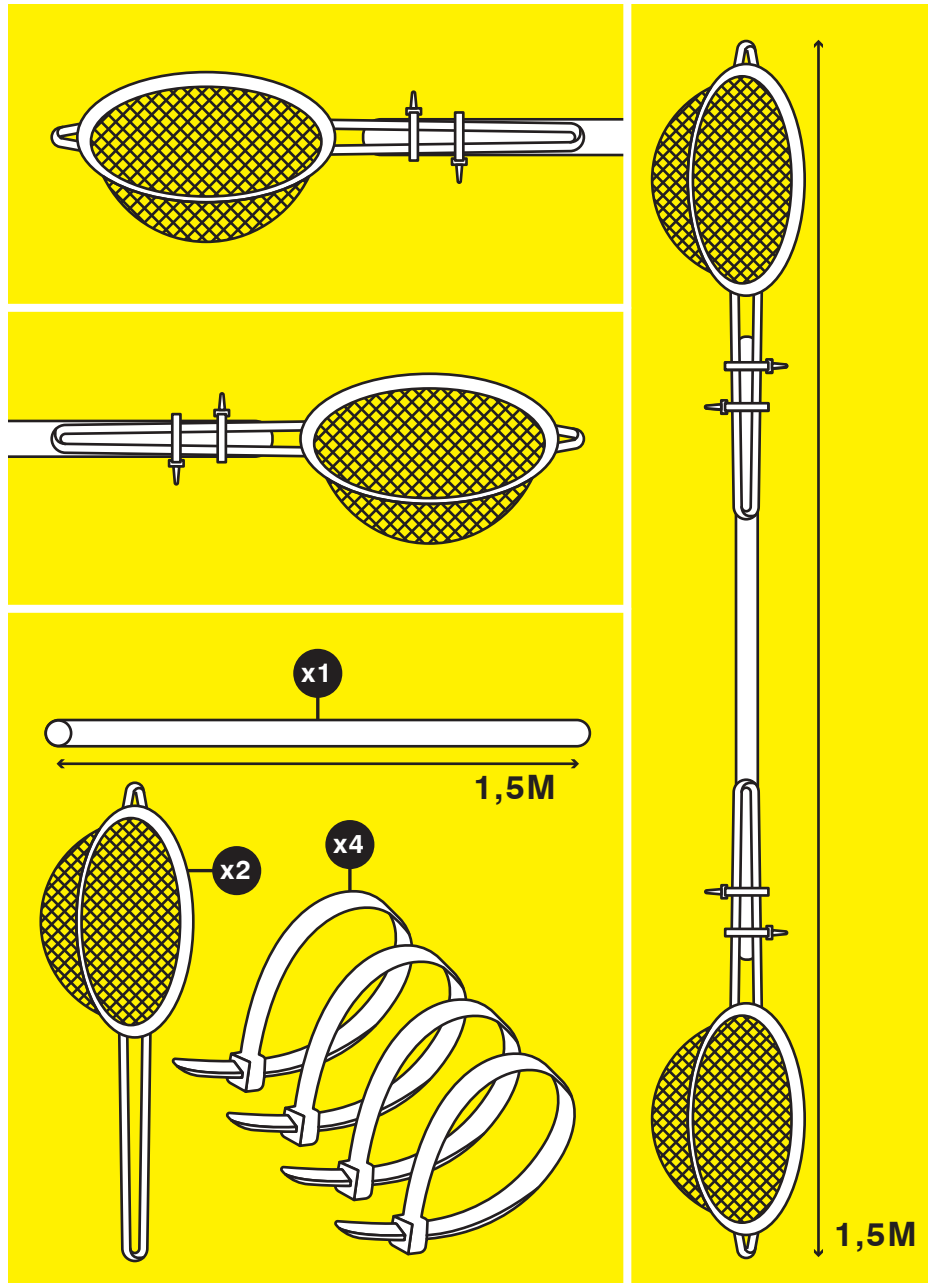
SIEVES

YOU'LL NEED:

1x 1,5M DOWEL

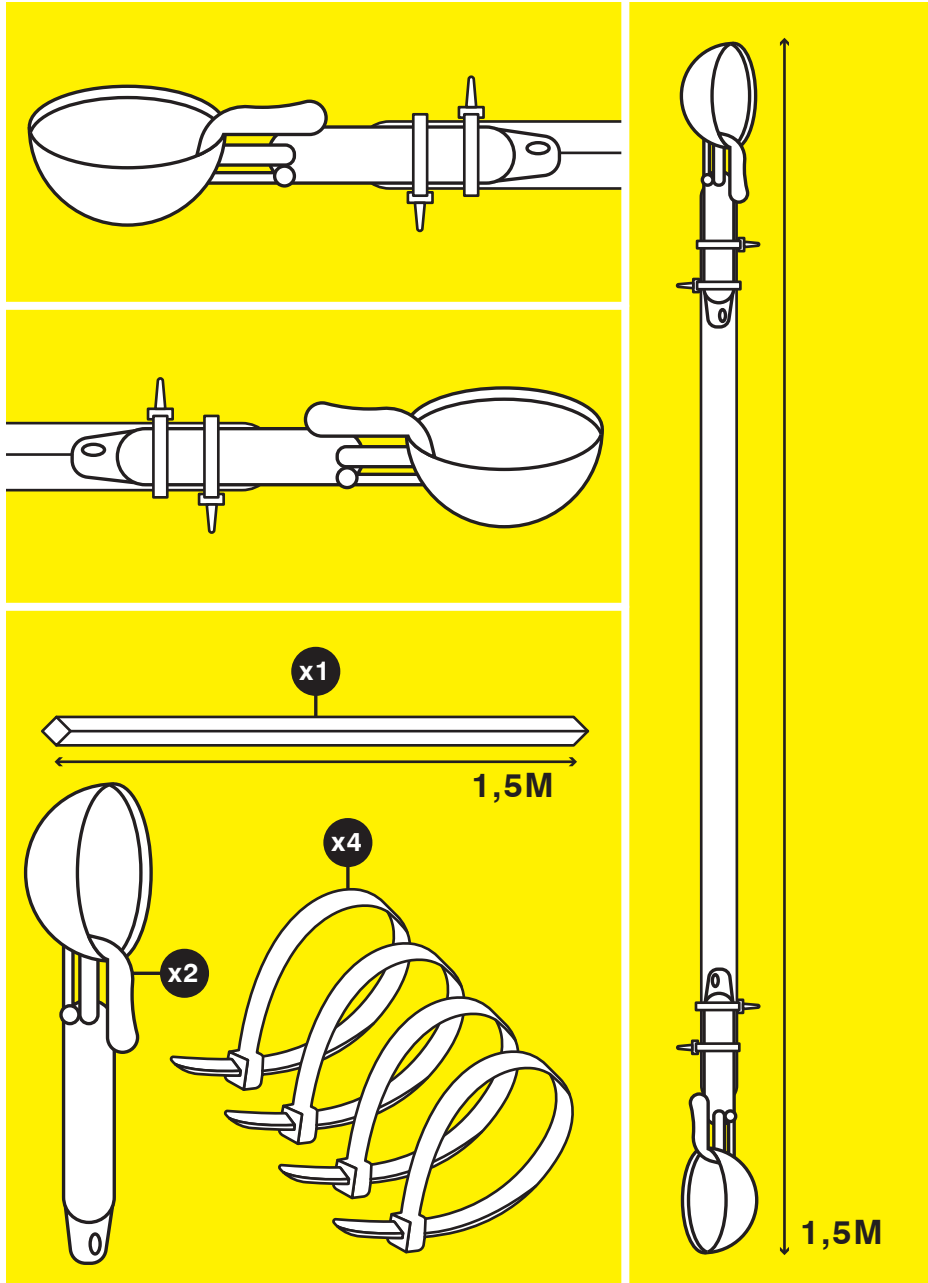
2x SIEVES

4x CABLE TIES



HOW TO

¹ ATTACH ONE SIEVE TO THE ONE END OF THE DOWEL, ² SECURE THE SIEVE TO THE DOWEL WITH TWO CABLE TIES. ³ MAKE SURE THE CABLE TIES ARE AT A DISTANCE SO THE ENTIRE SIEVE WILL BE SECURED TO THE DOWEL. ⁴ REPEAT THIS FOR THE OTHER SIDE



SCOOPS

YOU'LL NEED:

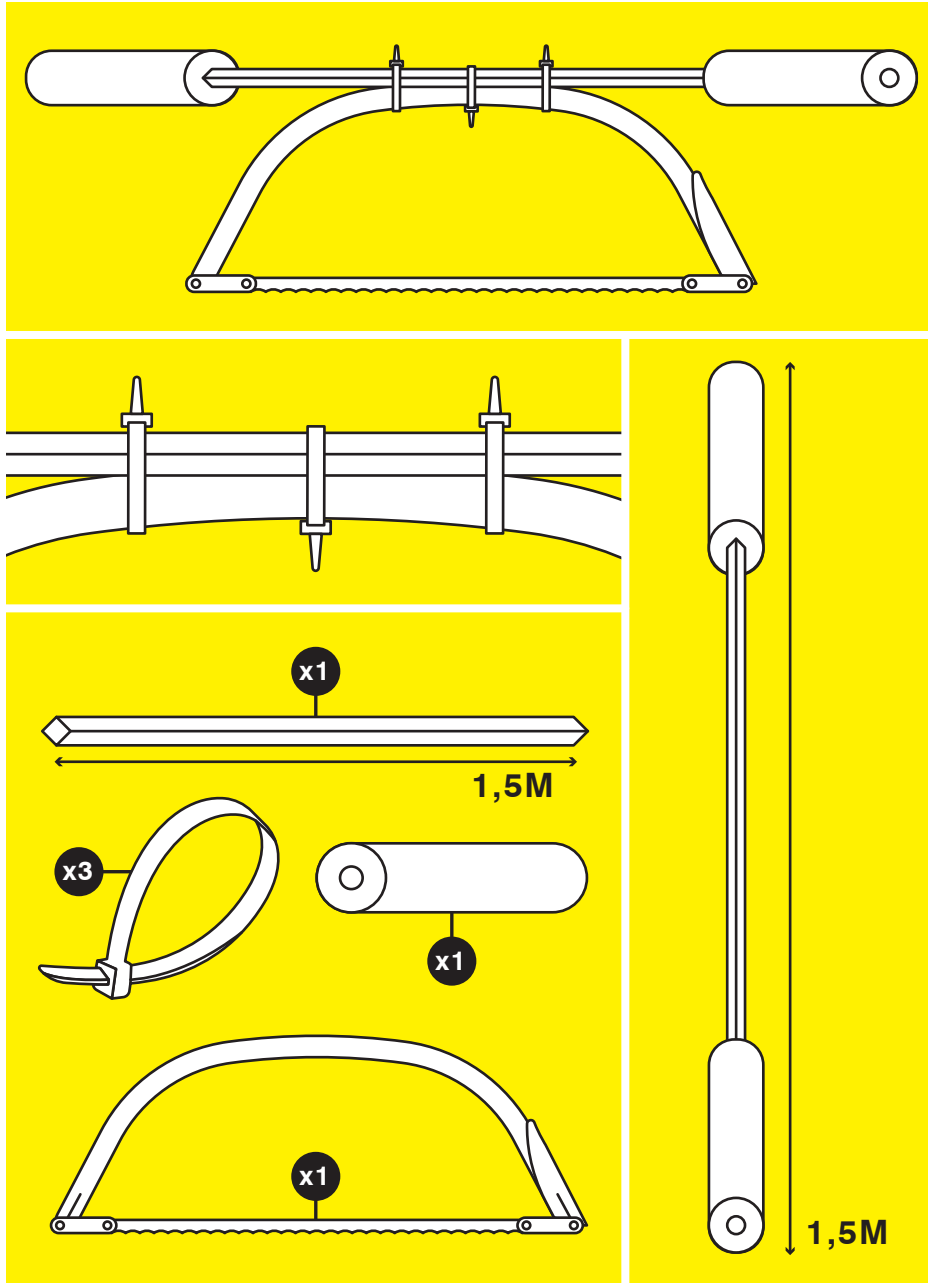
1x 1,5M SQUARE WOODEN ROD

2x ICE CREAM SCOOPS

4x CABLE TIES

HOW TO

¹ ATTACH ONE SCOOP TO THE ONE END OF THE WOODEN ROD, ² SECURE THE SCOOP TO THE WOODEN ROD WITH TWO CABLE TIES. ³ REPEAT THIS FOR THE OTHER SIDE



SAW

YOU'LL NEED:

1x 1,5M SQUARE WOODEN ROD

1x SAW

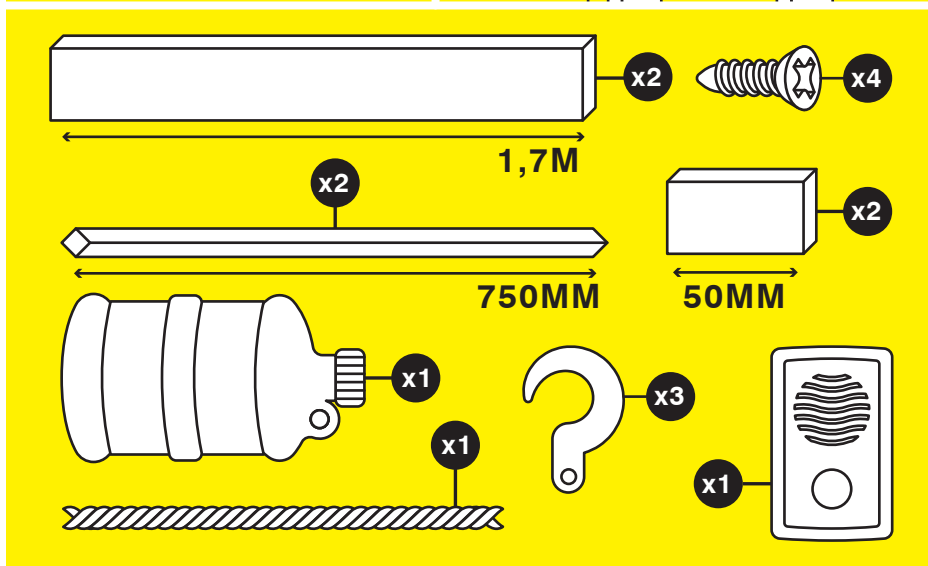
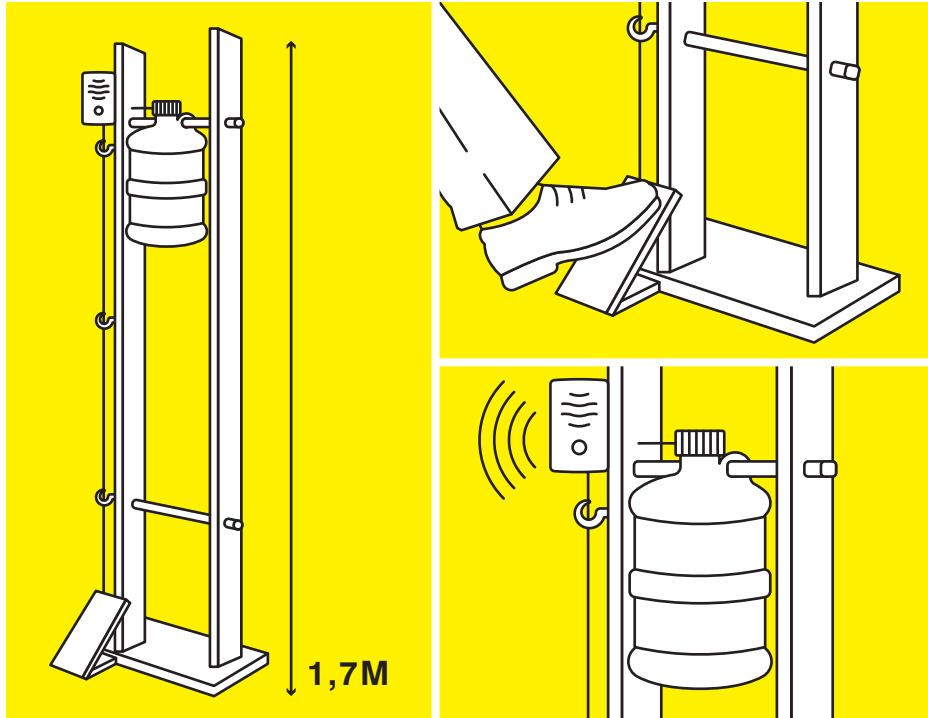
1x POOL NOODLE

3x CABLE TIES

HOW TO

¹ CUT YOUR POOL NOODLE INTO TWO SEPERATE PIECES, ² CUT HOLES INTO THE NOODLES BIG ENOUGH TO FIT THE ROD INSIDE ³ AND PROCEED TO ATTACH TO BOTH ENDS OF THE WOODEN ROD.

⁴ ONCE YOUR POOL NOODLES ARE ATTACHED, ⁵ GRAB YOUR SAW AND PLACE IT IN THE CENTRE OF THE ROD. ⁶ ATTACH THE SAW TO THE WOODEN ROD USING THREE CABLE TIES AT AN EVEN DISTANCE.



TIPPY TAP

YOU'LL NEED:

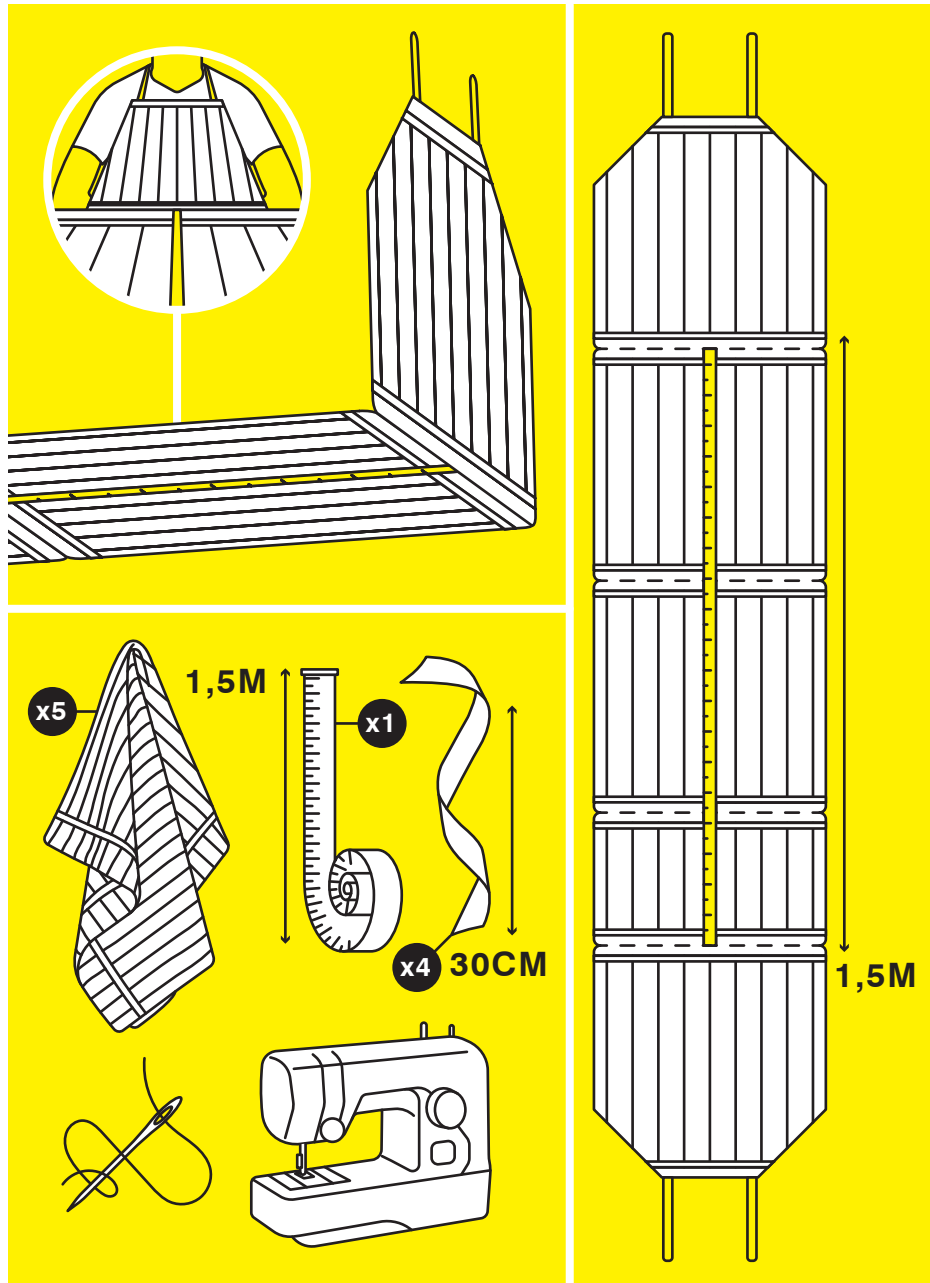
- 2x 750MM DOWELS
- 2x 1,7M LONG SLABS OF WOOD
- 2x 50MM FLAT SLAB OF WOOD
- 1x JERRY JUG
- 3x HOOKS
- 4x SCREWS
- 1x DOORBELL
- 1x ROPE

HOW TO

¹ PLACE THE FLAT SLAB OF WOOD ON THE FLOOR, ² PLACE ONE LONG SLAB ON THE TOP ³ AND DRILL TWO SCREWS INTO IT FROM UNDERNEATH THE FLAT SLAB WHERE THE LONG SLAB AND FLAT SLAB MEET. ⁴ REPEAT THIS STEP FOR THE OTHER SIDE.

⁵ DRILL TWO HOLES INTO THE BOTTOM OF BOTH THE FLAT SLABS, THE HOLE MUST BE THE WIDTH SIZE OF THE DOWEL. ⁶ INSERT THE DOWEL INTO THE TWO SEPERATE HOLES, THE HOLES MUST HOLD THE DOWEL. ⁷ REPEAT THIS STEP FOR THE TOP BUT INSERTING THE THE DOWEL INTO THE JUG ⁸ BEFORE INSERTING INTO THE HOLES.

⁹ DRILL AND PLACE THE HOOKS ON THE LEFT SLAB OF THE WOOD. ¹⁰ RUN A STRING ALONG THE INSIDE OF THE HOOKS ¹¹ AND ATTACH TO THE JERRY JUG. ¹² PULL THE STRING TO TIP THE JUG IN ORDER TO POUR FROM IT. ¹³ ATTACH A DOORBELL TO THE BOTTOM OF THE PEDAL, IF YOU WANT TO ADD A JUKEBOX ELEMENT TO YOUR TIPPY TAP.



BIB STYLE TABLECLOTH

YOU'LL NEED:

5x TEA TOWELS

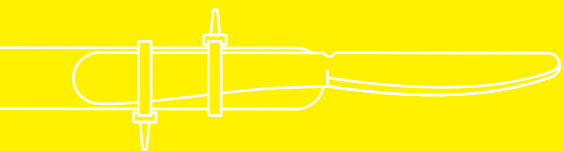
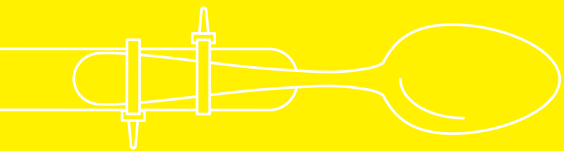
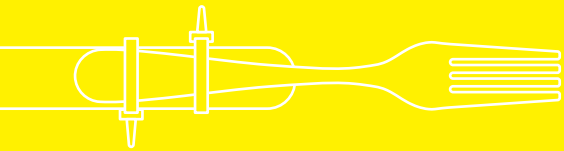
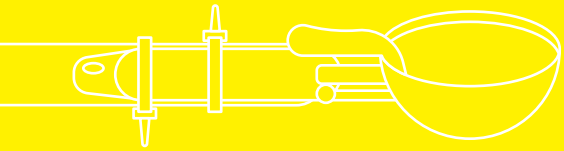
1x 1,5M SOFT MEASURING TAPE

4x 30CM PIECES OF RIBBON

NEEDLE AND THREAD/SEWING MACHINE

HOW TO

¹ LAY THREE TEA TOWELS FLAT AND MAKE SURE THE PATTERNS ALIGN
² PIN AND STITCH IT TOGETHER. ³ STARTING FROM ONE END STITCH THE MEASURING TAPE IN THE CENTRE OF THE TEA TOWELS. ⁴ NOW CUT THE END OFF AT THE 1,5M MARK - THE POINT WHERE THE MEASURING TAPE ENDS. ⁵ PIN AND STITCH A TEA TOWEL ON EITHER END. ⁶ NOW SLIGHTLY FOLD THE TOP ENDS ON EITHER SIDE IN, CUT ON THE FOLDS AND STITCH SEAMS. ⁷ LASTLY STITCH TWO RIBBONS ON EITHER SIDES ON BOTH ENDS TO FINISH OFF THE BIB STYLE TABLECLOTH



M - I - N - I

M — E - E - T

